

F

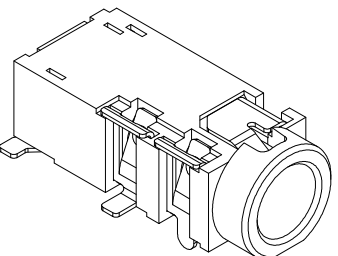
E

D

C

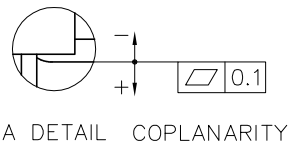
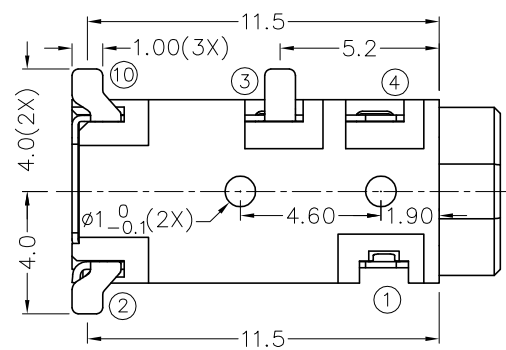
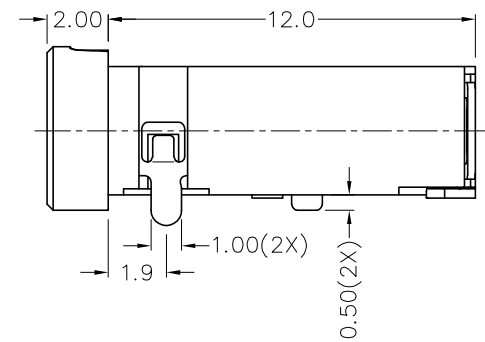
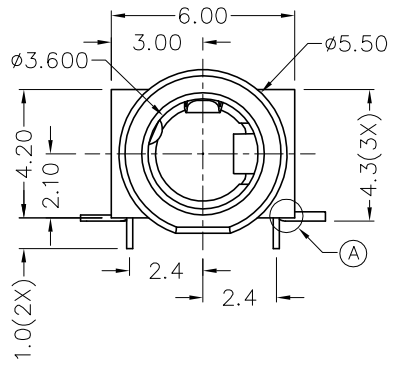
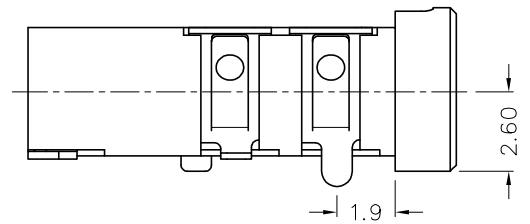
B

A



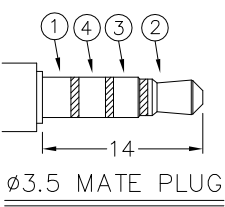
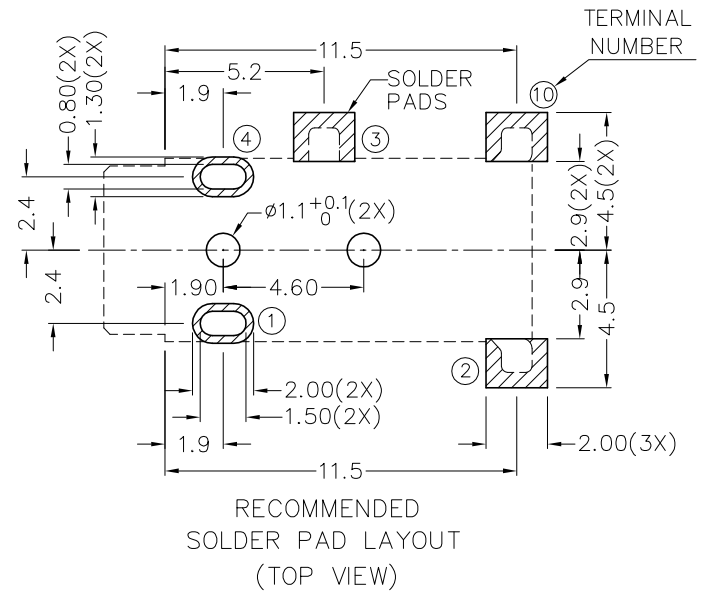
RoHS
Compliant

ZONE	SYMBOL	REVISION	APPROVAL	DATE



* MATERIAL
 TERMINAL 1 : COPPER ALLOY
 TERMINAL 2 : COPPER ALLOY
 TERMINAL 3 : COPPER ALLOY
 TERMINAL 4 : COPPER ALLOY
 TERMINAL 10: COPPER ALLOY
 HOUSING : PA6T

MODEL NO.	TSH-5365D-2
SCHEMATIC	



CHAMPWAY 冠泰电子有限公司
 CHAMPWAY ELECTRONICS CO., LTD.

PART NAME	3.5mm SMD STEREO JACK	TOLERANCE UNLESS	0.0±0.2	UNIT:	
PART NO.	TSH-536D-2	OTHERWISE SPECIFIED:	0.00±0.1 0.000±0.05		

DESIGN	G.P.YI	DATE	9-6-2011	SCALE	4:1
DRAWING	G.P.YI	DATE	9-6-2011	MATERIAL	*
CHECK		DATE		DWG. NO.	TZ\SH536D-2-PA6T/A
APPROVAL		DATE		SHEET	

F

E

D

C

B

A